

ALEXANDER
WINDOWS

Supply Only Division

Residor®

COMPOSITE DOOR

Installation Guide



General points

- The positioning of the new frame in the aperture is fundamental to the success of the installation.
- It is therefore important that the installation of the door is plumb and square within the aperture, without twist or distortion between the frame and slab (see Fig 1), please check repeatedly during the installation.
- The door and frame **MUST** be fitted as a complete unit.

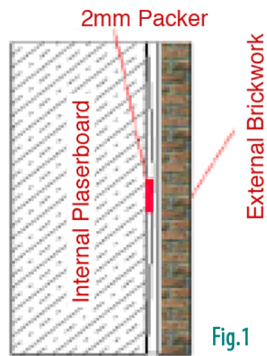


Fig.1

Fixings (see Fig 2)

- o There must be a minimum of three fixings on each jamb.
- o Frame fixings should be placed above and below the keeps.
- o Fixing should not be placed any closer than 150mm and no further than 250mm in from the external corner of the frame.
- o Intermediate fixings should be at centres no greater than 600mm.

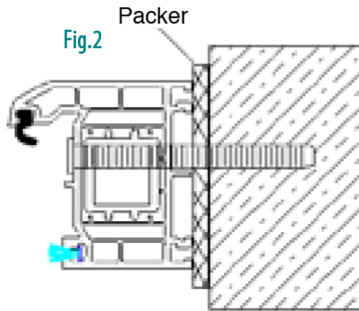
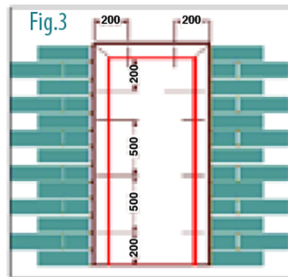


Fig.2

Packers (see Fig 3)

- o Packing must be used between the frame and the wall around the fixing positions to avoid the frame becoming distorted.
- o Packing must also be placed behind the locking keeps between the frame and wall.



Gaps shown in red must be between 4mm-5mm

Fitting the door

- Step 1 ensure the aperture is clear and free from any debris.
- Step 2 If a sill is required, fix the sill to the doorframe making sure a seal is applied between the sill and the frame. If the door has an Aluminium threshold then the sill must be bedded down on silicone first before installation, A silicone seal must also be applied between the sill and the aluminium threshold.
- Step 3 fit the door into the aperture ensuring the door is level using additional packers as required, you must ensure that the gap at the top of the door between slab and frame is equal from left to right (see gap tolerances Fig 3).

- Step 4 Fix the hinge jamb to the wall. Use a large spirit level to ensure that the jamb is square and plumb. Please note that the lock side must be adjusted to meet the door slab as each slab is bespoke and may vary by a small amount (see Fig 4).

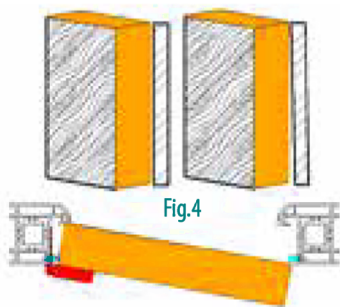


Fig.4

- Step 5 close the door against the lock jamb ensuring full contact is made with the Q-Lon gasket and that the door slab is flush with the small face of the door frame. Special attention must also be made to ensure that the gap between the door slab and the outer frame (where the brush pile sits) is equal from left to right and from top to bottom. This gap should be between 4mm - 5mm, but consistent around the door (see Fig 3)

- Step 6 When satisfied that the door closes correctly, fix the lock jamb in position ensuring that the middle of the frame (where the latch keep is positioned) is pushed outwards by approx 1mm to 2mm thus making sure that the top of the door shuts tightly in the frame and sits at least flush (see Fig 1).

- Step 7 After fixing is completed, the door should be closed against the weather seal, ensuring it makes full contact, and the centre latch keep is adjusted to make sure the door latches tightly in the frame.

Final checks

- The handle on the door should be lifted even when the door is not locked. (not applicable to slam shut locks or key windup lock) (see Fig 5).
- Check all hardware for correct operation.
- A final check should be undertaken for any twisting or distortion following installation, ensuring that an equal gap is maintained all the way around the door between the frame and the door slab as detailed above.
- All Protective tape / film, both on door frames and door slabs must be removed immediately after installation. Please note that prolonged exposure to the elements will lead to the film being severely difficult to remove. Periods in excess of 30 days could lead to the protective film / tape being permanently adhered to the product.
- Please ensure that end-user care sheet is left with the consumer to explain special care instructions and warranty.

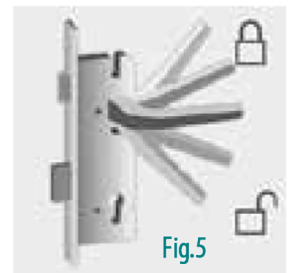


Fig.5

Residor®